



2019

Product Catalogue

Issue 6 - 2019
Doc Ref: PD06 Rev: 00

About us:

Redring products are imported and distributed by South Africa. Redring has been manufacturing showering and hot water solutions for more than 30 years, while innovating and pioneering in quality, affordable design and technology. Hot water safety is something Redring takes very seriously and safety features are built into our showering and our hot water heating products as standard.

Redring Index

XPRESSIONS X7 Range	Instant Shower	pg.2
POWERSTREAM 9.5KW Range	Unvented Instantaneous Water Heater	pg.3
POWERSTREAM 9.5KW Range	Eco With Controls	pg.4
AUTOSENSOR AV3 Range	Touch-Free Hand Wash Unit	pg.5
INSTANT I3V Range	Hand Wash Unit	pg.6

XPRESSIONS X7 Range - Instant Shower

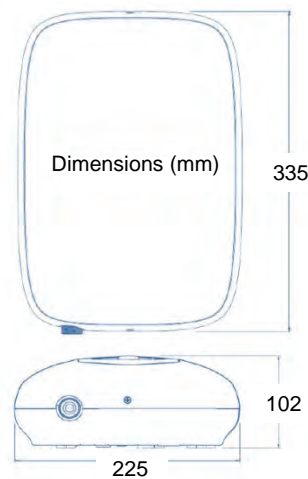
Instant shower

This is the first range to feature both left & right hand installation entry points. The models feature 6 cable and 8 pipe entry points and dual terminal blocks for left or right connection.

Key Features

- Available in 7.2kW.
- "Smart Fit"- maximum entry options for power/ water services, left and right sides.
- Dual terminal block for left or right hand connection.
- Push button start/ stop for simple "set and forget" control.
- Upper rotary control with three power selection settings for energy efficiency and reduced running costs.
- Lower rotary control for adjustment of temperature/ flow.
- "Power On" and "Auto Reset" neon indicators.
- Removable water inlet filter.
- "Smart Fit" accessory kit with sliding bracket fixing and three mode rub-clean shower spray head.

Dimensions (mm)



Specifications

Heat setting:	7.2kW
Operating water pressure:	1.0-10 Bar
Cable size:	6mm ²
Fuse rating:	30 amps.
Settings	13.63A
Airflow volume	3 power settings, temperature/ flow and on/ off

POWERSTREAM 9.5kW Range - Unvented Instantaneous Water Heater

Instantaneous Water Heater

Powerstream delivers instant hot water at point of use. This compact and unique design eliminates the need for centrally stored hot water cylinders saving on electricity usage and important space.

Key Features

- Water supplied to one or two outlets (either one shower and one hand basin or two hand basins).
- Water outlet via existing tap or mixer (especially via spray tap).
- Direct mains supply.
- Small compact shape.
- No standing heat losses.
- Fast response.
- Two heat settings.
- Neon "power on" indicator.
- The Powerstream range is not suitable for bath installations, due to temperature loss when filling the bath.

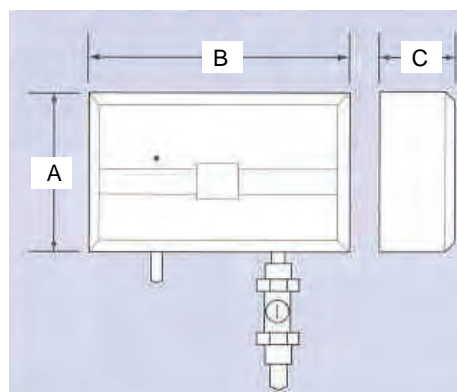
Flow Rate/ Performance (Winter/ Summer)

Approximate water temperature which can be expected from Powerstream for different flow rates. The temperature of the mains supply can vary from 5°C in winter up to about 20°C in summer, with a max mean average of about 12°C.



Dimensions (mm)

POWERSTREAM



A - Height	160mm
B - Width	307mm
C - Depth	74mm

Specifications

Flow rate:	Winter/ Summer
4lts/ min:	39 - 54°C
5lts/ min:	32 - 47°C
6lts/ min:	28- 42°C
Fuse rating:	40 amps.
kW loading:	8.7 - 9.5 kW

Model	4lts/ min	5lts/ min	6lts/ min
9.5 kW	39/ 54°C	32/ 47°C	28/ 42°C

POWERSTREAM 9.5kW Range - Eco With Controls

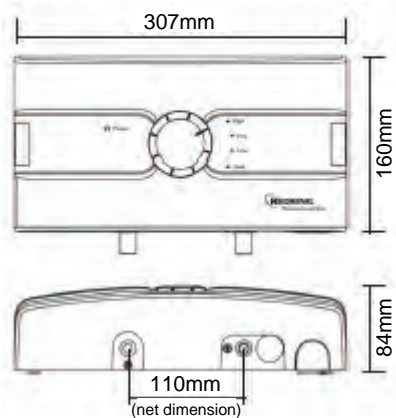
Eco with controls

The new Powerstream Eco delivers hot water instantaneously at the point of use, eliminating the need for a centrally located hot water cylinder and long pipe runs. The compact and unique design now offers external power selection with an Eco setting for ease of use and reduced running costs.

Key Features

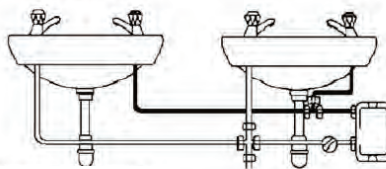
- Water supplied to one or two hand basin outlets.
- Direct mains supply.
- Small compact shape with a maximum height of 160mm, width of 307mm and depth of 84mm.
- Fast response.
- Neon "power on" indicator rotary control with High, Eco, Low and Cold settings on an impact resistant cover.
- The Powerstream range is not suitable for bath installations, due to temperature loss when filling the bath.

Dimensions (mm)

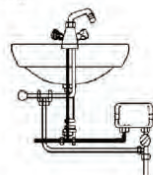


Basin Installation

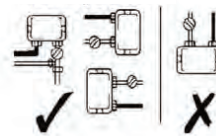
Two basin installation



Single basin installation



Mounting options



Specifications

Operating water pressure:	15 -150 psi
kW loading @ 220V:	8.7 - 9.5 kW
Cable size guide:	6 / 10mm ²
Fuse rating:	40 amps.
Power settings:	High: 9.5kW Eco: 5.4kW Low: 4.1kW Cold: 0kW

AUTOSENSOR AV3 Range - Touch-Free Hand Wash Unit

Touch-Free Hand Wash Unit

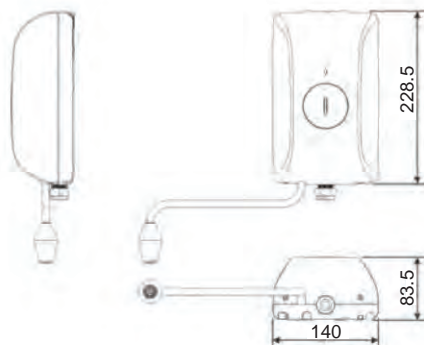
Autosensors are compact, wall mounted warm water dispensers, delivering an unlimited supply of heated water typically used for hand and face washing. Connected to a cold water supply only and the mains electricity and provide instant hot water. They do not store hot water but heat as they dispense – hence, instant and convenient. They are simple and economical to use with a single control for Start/ Stop and temperature selection (manual) or hands free control (auto). They are suitable for high or pressure plumbing systems.

Key Features

- Simple to dit direct swap with previous Redring AV3 installations.
- Touch-free hygienic operation preventing crosscontamination
- Infrared sensor activates water output for extra economy.
- Timed shut-off set at approximately 40 seconds.
- Vortex spray head is non-scaling and maintenance free.

- Swivel 200mm stainless steel spray arm.
- Overheat protection.
- Fully temperature stabilised.
- No standing heat loss .
- Compact economic design.
- Direct connections to water mains.
- Standard 15mm pipe work.
- Top, bottom or rear cable entry.
- “Standard ½” connections.
- Full fixing pack supplied.

Dimensions (mm)



Specifications

Operating water pressure:	0.7 - 7 Bar
Cable size:	10mm ²
Fuse rating:	13 amps.
kW loading:	3 kW

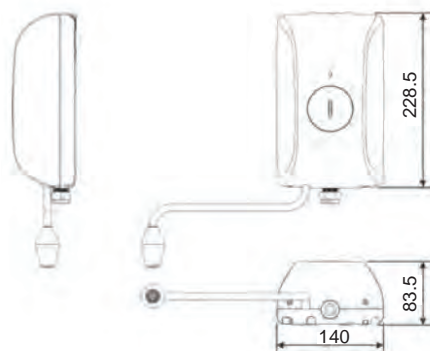
INSTANT I3V Range - Hand Wash Unit

Hand Wash Unit

Instant Hand Wash Units are compact, wall mounted warm water dispensers, delivering an unlimited supply of heated water typically used for hand and face washing. Connected to a cold water supply only and the mains electricity and provide instant hot water. They do not store hot water but heat as they dispense – hence, instant and convenient. They are simple and economical to use with a single control for Start/ Stop and temperature selection (manual) or hands free control (auto) They are suitable for high or pressure plumbing systems.

- Direct connections to water mains.
- Standard 15mm pipe work.
- Top, bottom or rear cable entry.
- Full fixing pack supplied.

Dimensions (mm)



Key Features

- Compact economic design.
- Single control lever for On/Off and temperature selection.
- Vortex spray outlet is non scaling and maintenance free.
- “Heat on” neon indicator.
- Swivel 200mm stainless steel spray arm.
- ‘Normal’ hand wash temperature indicated on unit.
- Overheat protection.
- Fully temperature stabilised.
- No standing heat losses.

Specifications

Heat setting:	3 kW
Operating water pressure:	0.7 - 7 Bar
Cable size:	1.5mm ²
Fuse rating:	13 amps.
kW loading:	3 kW



**P.O. Box 678, Germiston, 1400,
South Africa.**

Email:

info@redring.co.za

www.redring.co.za

E.&O.E. (errors and omissions excepted)

